

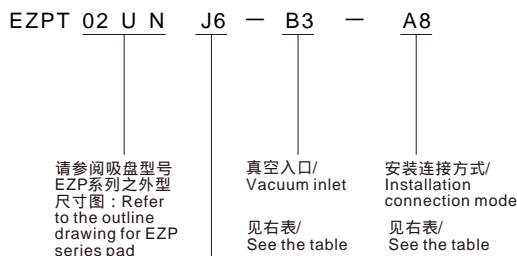
# Vertical vacuum pad with joint thread ( with buffer)



接管方式/ Joint thread	内螺纹/ Female thread
真空入口/ Vacuum inlet	垂直方向/ Vertical
安装连接方式/ Installation connection mode	缓冲外部/ Buffer external

缓冲形式/ Buffer specification	旋转型/Rotating ( J )
	不旋转型/Non-rotating ( K )
缓冲行程/ Stroke	2 ~ 8 : 6mm
	10 ~ 32 : 10mm

EZPT系列 (带缓冲) 型号/EZPT series code(with buffer)



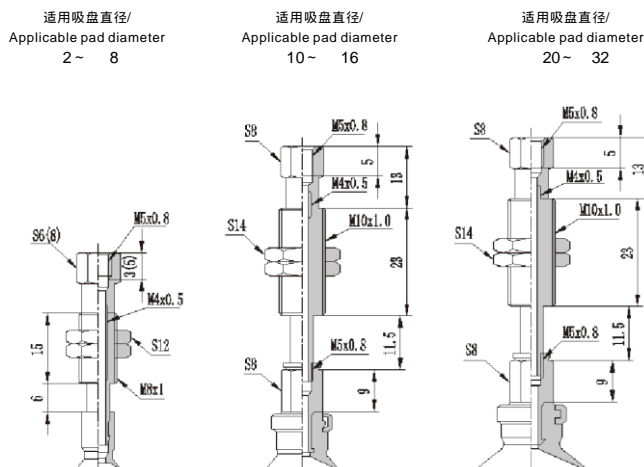
缓冲：Buffer

- J6 - 缓冲行程/Stroke 吸盘适用/Pad applicable
- J10 - 缓冲行程/Stroke 吸盘适用/Pad applicable
- K6 - 不旋转缓冲行程/Non-rotating stroke 吸盘适用/Pad applicable
- K10 - 不旋转缓冲行程/Non-rotating stroke 吸盘适用/Pad applicable

符号/ Symbol		螺纹外径/软管/ Thread OD/tube	2 ~ 8	10 ~ 32
真空入口/ Vacuum inlet	内螺纹/ Female thread	B3	M3x0.5	
		B5	M5x0.8	
		B01	1/8	
	快拆接头/ Quick-release connector	N4	4尼龙管/PA tube	
		N6	6尼龙管/PA tube	
		U4	4PU软管/PU tube	
	U6	6PU软管/PU tube		
安装连接方式/ Installation connection mode	外螺纹/ Male thread	A8	M8x1	
		A10	M10x1	
		A14	M14x1	

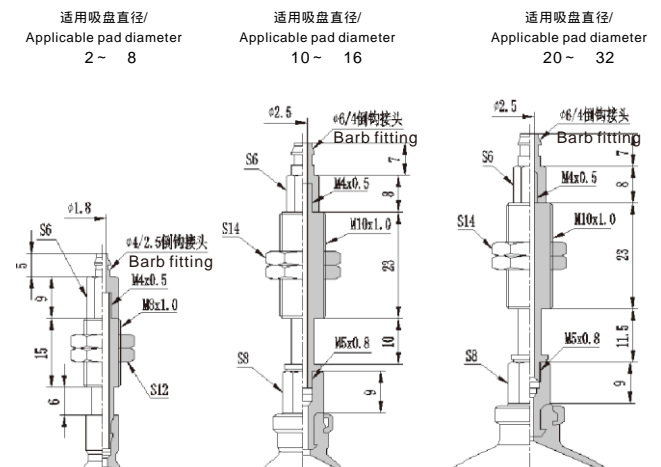
## Outline drawing (mm)

内螺纹连接/Female connection



各类吸盘尺寸图见EZP系列之外型尺寸图/Pad dimension as EZP outline drawing

倒钩接头连接/Barb fitting connection.



各类吸盘尺寸图见EZP系列之外型尺寸图：Pad dimension as EZP outline drawing